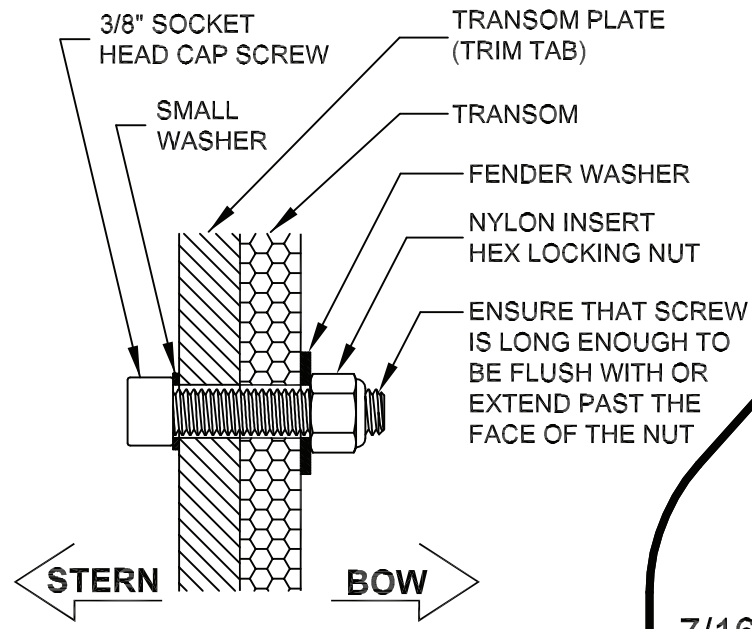




Livorsi Transom Plate
 Livorsi Bolt Pattern
 Scale 1:1
 Rev A



TYPICAL FASTENER INSTALLATION

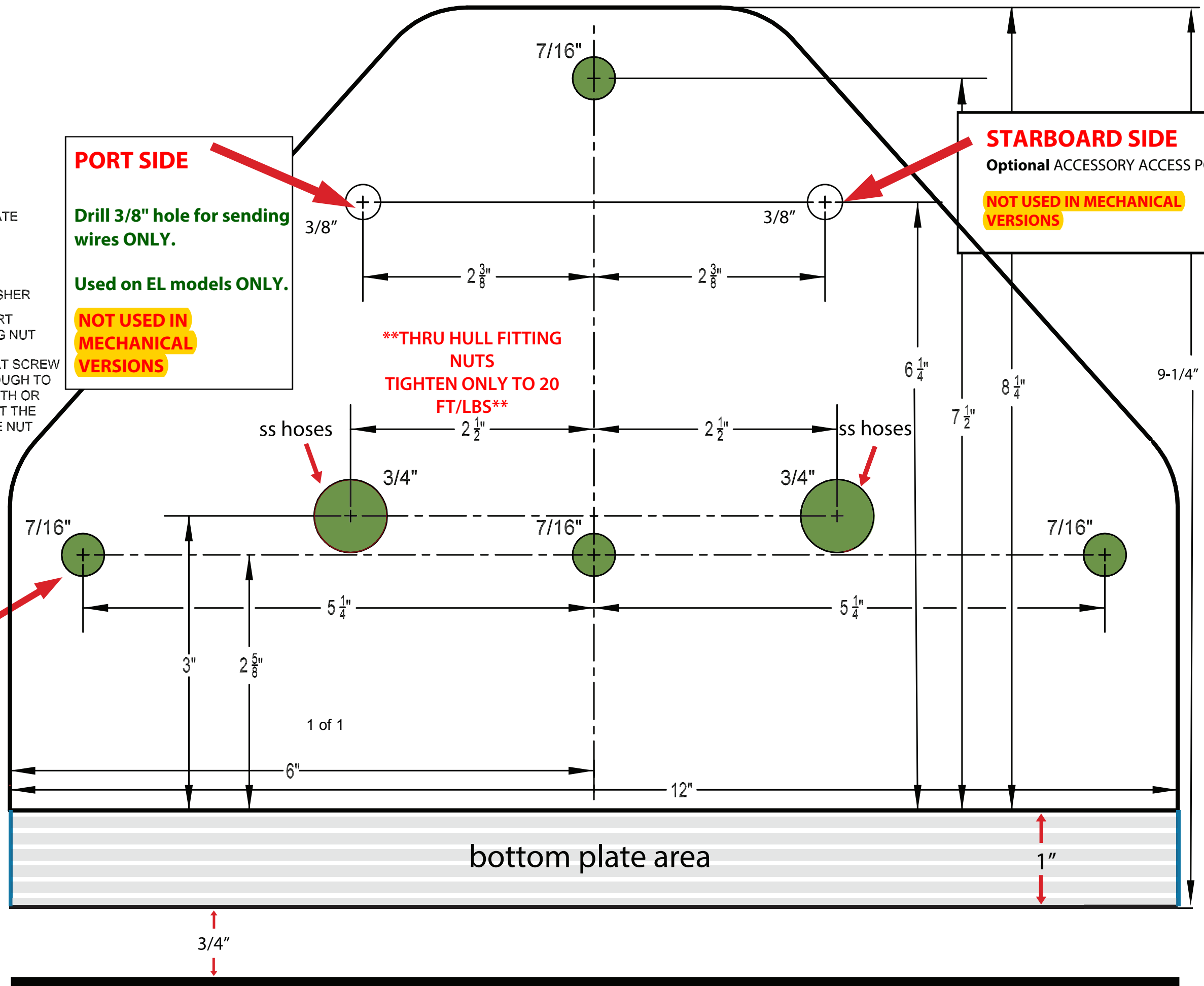
Ø .390 THRU ALL (X4)
 thru Bolts

LINE UP WITH THE BOTTOM OF THE BOAT FOR RECOMMENDED SETTING OF 3/4" FROM LOWER TRIM PLATE TO BOAT BOTTOM

PORT SIDE
 Drill 3/8" hole for sending wires ONLY.
 Used on EL models ONLY.
NOT USED IN MECHANICAL VERSIONS

STARBOARD SIDE
 Optional ACCESSORY ACCESS POINT.
NOT USED IN MECHANICAL VERSIONS

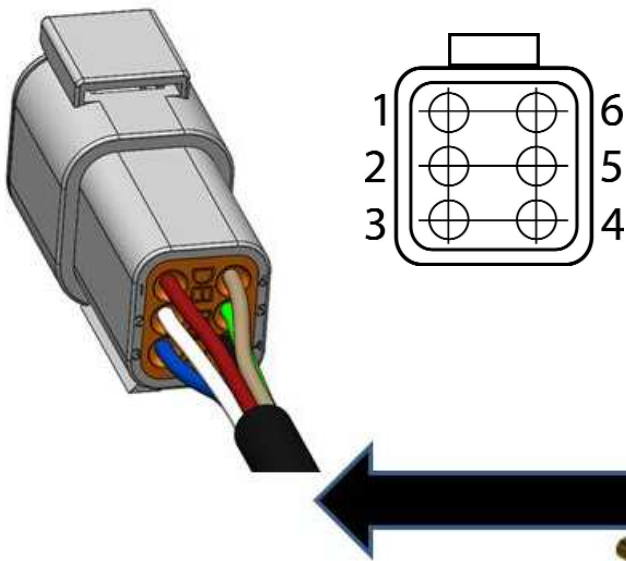
****THRU HULL FITTING NUTS TIGHTEN ONLY TO 20 FT/LBS****



REV A
 ECO 28610
 LIT-TTEL-ML-TEMPLT

TTKEL Models 6 Pin Deutsch Wiring

Model Numbers: TTK1050EL, TTK850EL, TTK950EL, TTK750EL



Pin Number	Wire Color	Description
1	Red	PPS1 (5V)
2	White	PPS2 (5V)
3	Blue	PPS1 Signal
4	Black	PPS1 Ground
5	Green	PPS2 Ground
6	Tan	PPS2 Signal



connector wedge lock



sensor wires
 from trim tab

